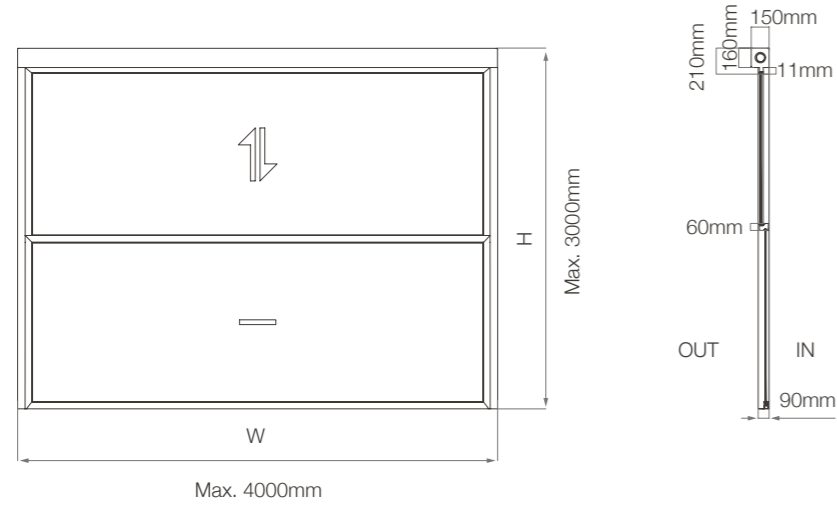


Configurations

2 Panels / Down Parking

Standard Tempered Single Glass 8 / 10mm

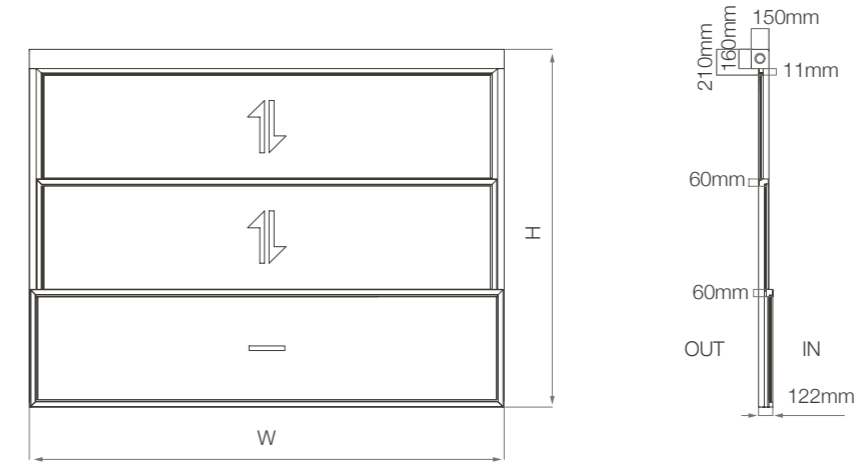


Internal View

Lateral Section

3 Panels / Down Parking

Standard Tempered Single Glass 8 / 10mm

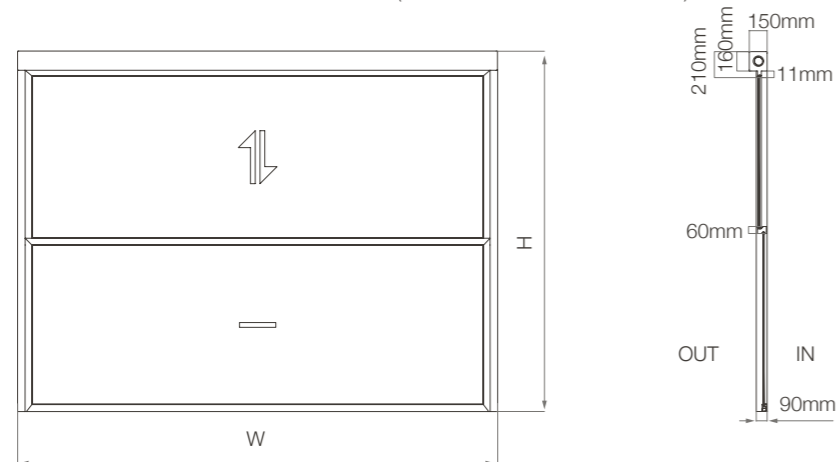


Internal View

Max. W 4000 > H 3000 mm
Max. W 3000 > H 3500 mm

Lateral Section

Insulated Double Glass 4+12+4 mm (width 2000-3000 mm max.)
5+10+5 mm (width 3000-4000 mm max.)

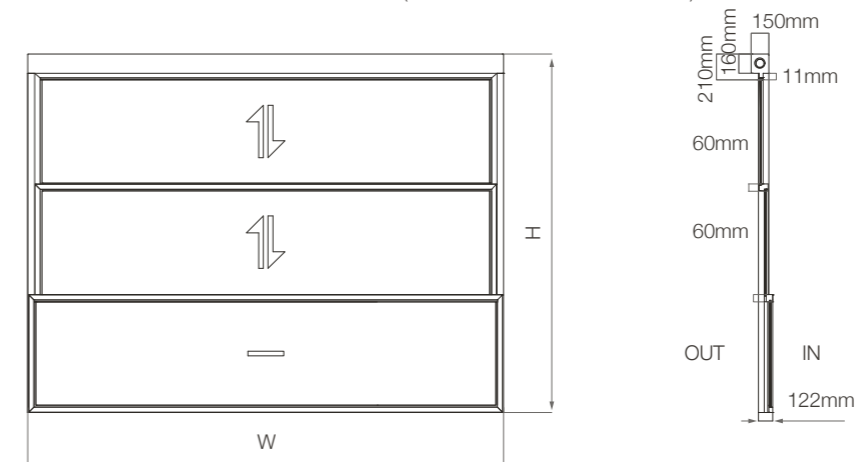


Internal View

Max. W 4000 > H 2500 mm
Max. W 3500 > H 2750 mm
Max. W 3000 > H 3000 mm

Lateral Section

Insulated Double Glass 4+12+4 mm (width 2000-3000 mm max.)
5+10+5 mm (width 3000-4000 mm max.)



Internal View

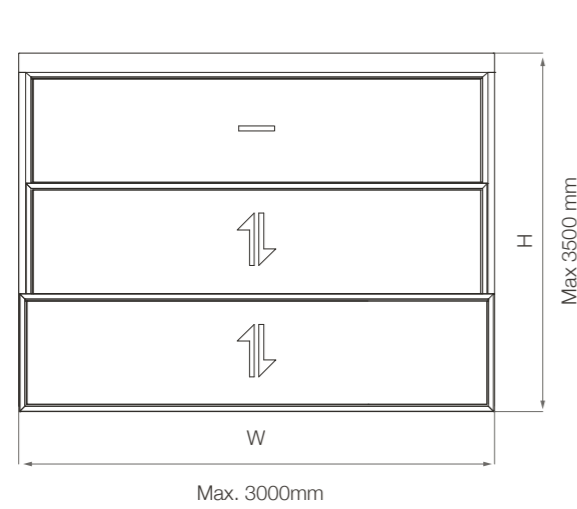
Max. W 4000 > H 3000 mm
Max. W 3000 > H 3500 mm

Lateral Section

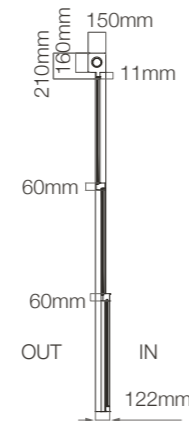
Configurations

3 Panels / Up Parking

Standard Tempered Single Glass 8 / 10mm

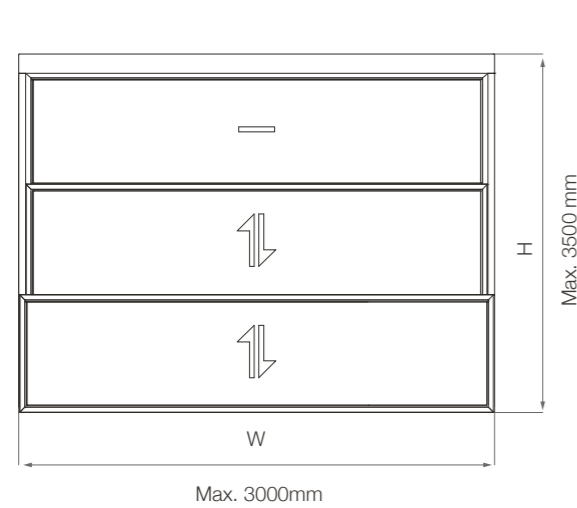


Internal View

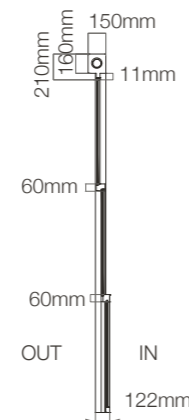


Lateral Section

Insulated Double Glass 4+12+4 mm (width 2000-3000 mm max.)

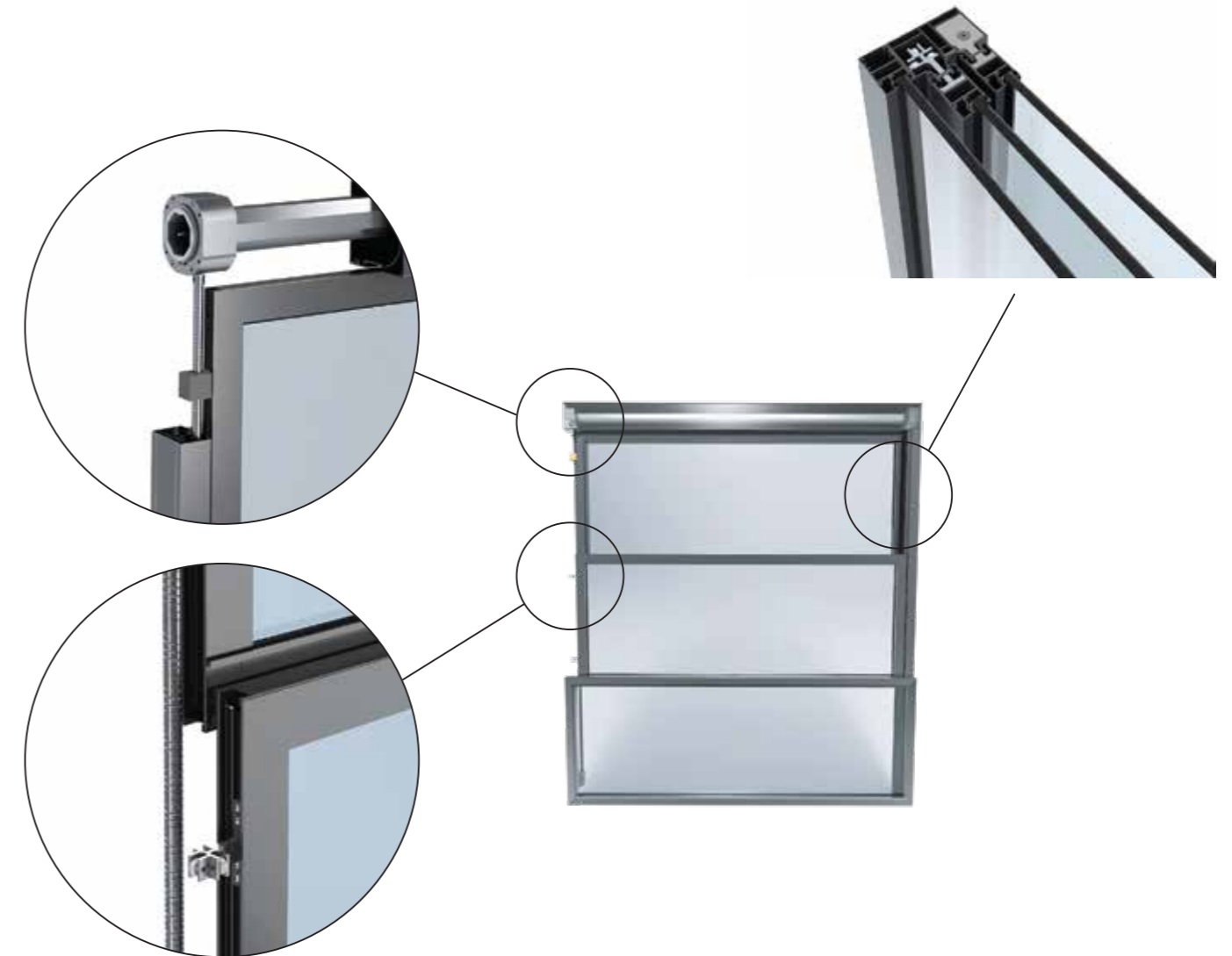


Internal View



Lateral Section

Worm Shaft Technology



- The patented Worm Shaft technology eliminates the trembling and gives smooth movement even on large dimensions with its maintenance-free mechanism.
- This smart technology provides high degree safety compared to other working mechanism based on belts, chains and ropes.
- Gearbox system transfers the movement from the gear to the worm shaft mechanism and ensures the continuation of the movement.
- System has pure balanced up/down operation thanks to strengthened counterweight movement mechanism. Second panel supported by three-wheeled slider and ensures vibration-free movement.
- Depending on application, panels can be operated & stacked either upwards or downwards. Alternative opening-stacking configurations provide various range of spacious living area options.